

# ECOUSTIC® BANNER BAFFLE



unika vaev  
INSTYLE

Hear yourself think®

# ECOUSTIC® BAFFLE COLOR

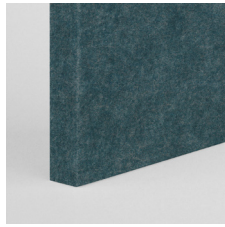
## .47" Options



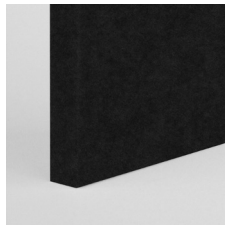
ALMOND



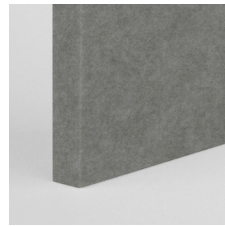
ATOM



AZURE



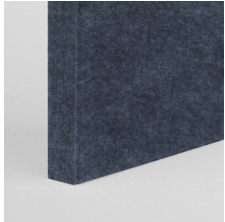
CAVE



CIRRUS



COOL



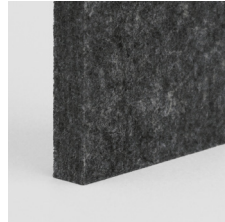
DENIM



ECRÚ



FAWN



GALAXY



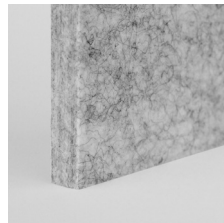
HORIZON



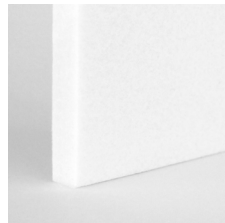
ISLE



OLIVE



OXIDE



SNOWDROP

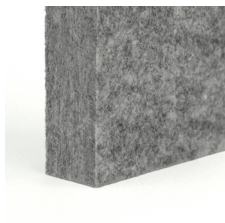


TRUFFLE



TUNGSTEN

## .94" Options



Ash



Graphite



Nero



Pure



Stone

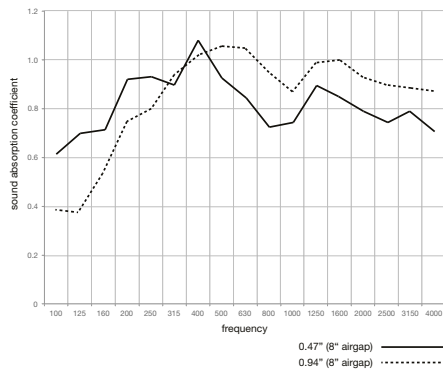
Product may vary in color due to the nature of the media  
Please refer to website for current color range

**ecoustic**® global leaders  
by INSTYLE in acoustic  
products

# ECOUSTIC® BANNER BAFFLE



- CONTENT** 100% PET
- THICKNESS** .47" (12mm) or .94" (24mm)
- DIMENSIONS** 106.3" x 5.9" (2700mm x 150mm)  
106.3" x 7.9" (2700mm x 200mm)  
106.3" x 11.8" (2700mm x 300mm)
- FLAMMABILITY**  
ASTM E84 Class A for both thicknesses  
AS/ISO 9705  
AS/NZS 1530.3  
GB 8624  
CAN ULC S102
- APPLICATION** Ceiling
- ACOUSTIC** NRC 0.75 - 0.95 (depending on thickness)



**DESCRIPTION** Ecooustic® Baffles are a modular panel and support system designed for vertical, horizontal, and angular suspension. Available in a variety of colors, dimensions, and design options, Ecooustic® baffles provide design flexibility in acoustic performance and aesthetics.

Product may vary in color due to the nature of the media  
Please refer to website for current color range

**Please Note:** Banner Baffles are provided in kit format. Please refer to the following page for complete details.

**Designed for the Environment:**

- Cradle to Cradle Bronze Certified®
- Low VOC
- Red List Compliant
- Rapidly Renewable Content
- Prop 65 Compliant
- Published with mindful MATERIALS / Ecomedes
- Health Product Declaration®
- EPD
- Oeko-Tex Certified
- Declare Compliant
- ISO 14001-Certified EMS
- No FR Additives
- No Conflict Minerals

**Building Rating Systems:** Ecooustic® Baffles will contribute the following points for Green Star, LEED + WELL building standards.

Criteria	Green Star	LEED	WELL
Low VOC	✓	✓	✓
Recyclable	✓	✓	N/A
Manufacturer Certified EMS	✓	N/A	N/A
3rd Party C2C Certification	-	✓	✓
Toxic Material Reduction	N/A	N/A	✓
Sound Reducing Surfaces	N/A	N/A	✓



**ecoustic®** global leaders  
by INSTYLE in acoustic products

# ECOUSTIC® BANNER BAFFLE BENEFITS

---

**Ideal for Large Spaces + Limited Wall Space:** Ecooustic® Baffles is a versatile acoustic ceiling system and an ideal choice for use in spaces that are large and have limited wall space in new and existing fitouts.

**Design Flexibility:** Ecooustic® Baffles can be customized to any architectural context or select from our range of designs. Ecooustic® Baffles is made from Ecooustic® SC .47" + .94" with a uniform exposed edge, offering flexibility in acoustic performance and aesthetics. Each thickness has a variety of colors to choose from.

**Superior Acoustic Performance:** With the ability to absorb sound on all sides, Ecooustic® Baffles achieves superior acoustic performance, particularly baffles made from SC .94".

**Easy to Install + Proprietary Suspension System:** Ecooustic® Baffles is a complete system and the lightweight acoustic panels are simple to install. Instyle has a range of proprietary cable suspension systems supplied with natural or black anodised aluminium extrusions. Alternative extrusion fixings to support the baffles can be sourced.

**Moisture Absorption:** After four days at 122° F, 95% RH the moisture absorbency of SC .47" and SC .94" was less than 0.3% and 2.9% by weight respectively. As Ecooustic® Baffles is made from 100% polyester, it will not degrade over time due to moisture, mildew or rot in office environments.

**Toxicity:** Polyester is non-toxic and is classed the same as wood under the State of New York Article 15 Part 1120. Ecooustic® Baffle does not contain any Red List Chemicals (USA EPA).

**Safety:** Unika Vaev recommends compliance with National Construction Codes and Building Safety Standards. Certification by a qualified practicing structural engineer, such as a Structural Safety Certificate should be confirmed for all overhead installations including baffles.

**Please Note:** Unika Vaev recommends compliance with National Construction Codes and Building Safety Standards. Certification by a qualified practicing structural engineer, such as a Structural Safety Certificate should be confirmed for all overhead installations including baffles.

## ECOUSTIC® BANNER BAFFLE KITS

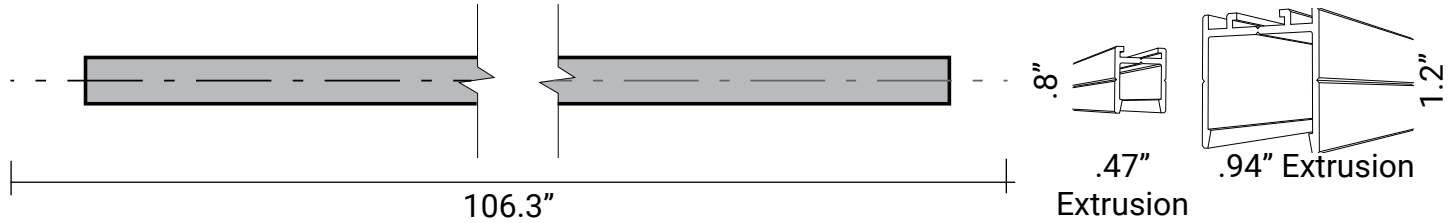
---

- Banner Baffles Kit Option 1: (L) 106.3" x (D) 5.9" provided with [8] baffle fins per kit (35 ft²)
- Banner Baffles Kit Option 2: (L) 106.3" x (D) 7.9" provided with [6] baffle fins per kit (35 ft²)
- Banner Baffles Kit Option 3: (L) 106.3" x (D) 11.8" provided with [4] baffle fins per kit (35 ft²)

# BAFFLE CABLE SUSPENSION SYSTEMS

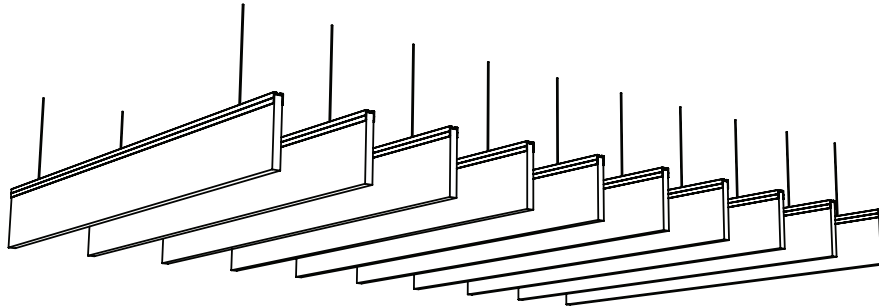
## Baffle Support Extrusions

Ecoustic® Baffles can be supported by Unika Vaev baffle extrusions. Unika Vaev baffle extrusions are available in either natural anodized aluminum, or black powder coat finish, supplied in 106.3" lengths. Baffle support extrusions can be secured to Ecoustic® Baffles via several fixing options. Please refer to the Baffle installation guide on unikavaev.com



## VERTICAL CABLE SUSPENSION

[2] Cables provided each 78.75" in length



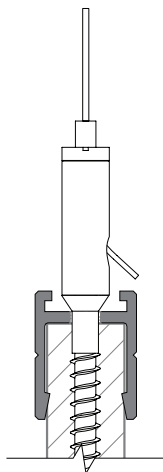
### HARDWARE OPTIONS

#### Baffle Screw

Cable screw secured into baffle

#### How to specify:

Ecoustic® Vertical Cable Installation - Screw Fix Set (2 per Baffle)



### HARDWARE OPTIONS

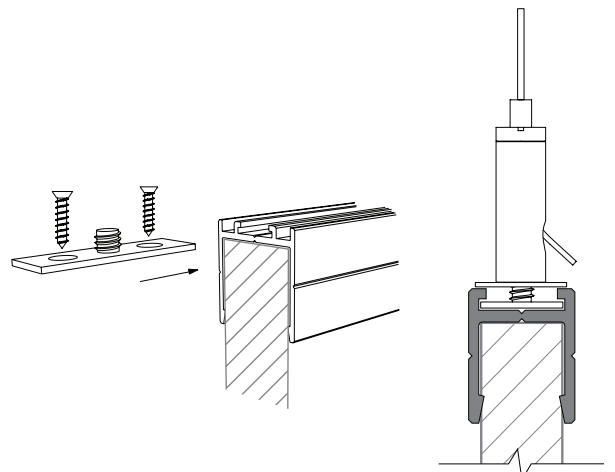
#### Sliding Cable Mount Via Extrusion

For all both baffle thicknesses

OR

#### How to specify:

Ecoustic® Vertical Cable Installation - Mount Plate Set (2 per Baffle)

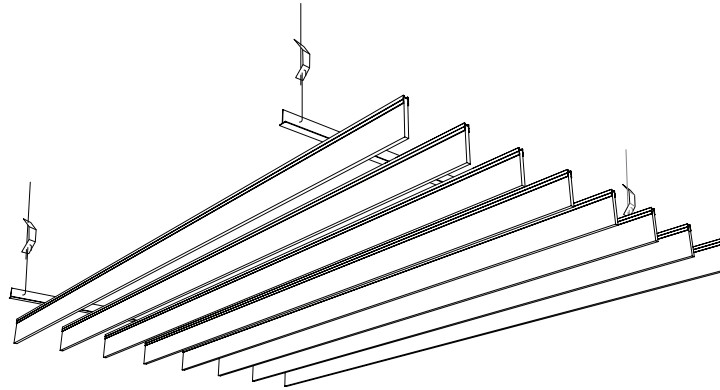


Items shown are not to scale  
Max weight rating per baffle extrusion not to exceed 44 lbs

**ecoustic**® global leaders  
by INSTYLE in acoustic  
products

# BAFFLE CABLE SUSPENSION SYSTEMS

## SUSPENDED 'TEE' BAR

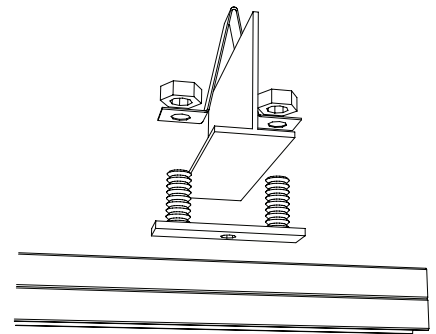


### HARDWARE OPTIONS

#### Sliding Mount Plates

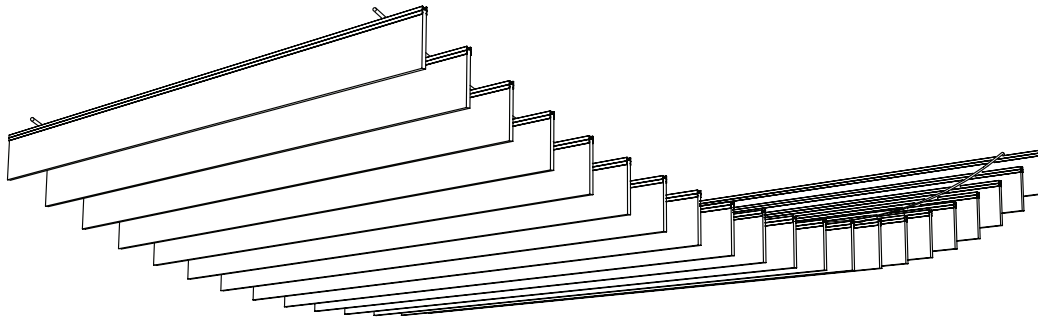
For both baffle thicknesses

Sliding mount plates secured to extrusions and baffles are secured to Tee bars or similar via dedicated strap, used in suspended ceiling grid systems. \*Tee bar to be supplied by others to suit site requirements



#### How to specify:

Ecoustic® T-Bar Installation Set (2 per Baffle)



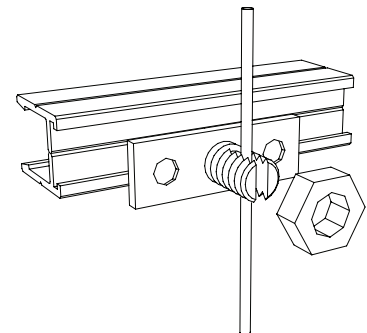
### HARDWARE OPTIONS

#### Flex Plate Set

For both baffle thicknesses

Sliding mount plates secured to extrusions and baffles are then secured to horizontal or vertical cables via dedicated slotted bolt together with washer and nut.

\*Cable not included and to be supplied by others to suit site requirements



#### How to specify:

Ecoustic® Slung Cable Installation Set (2 per Baffle)

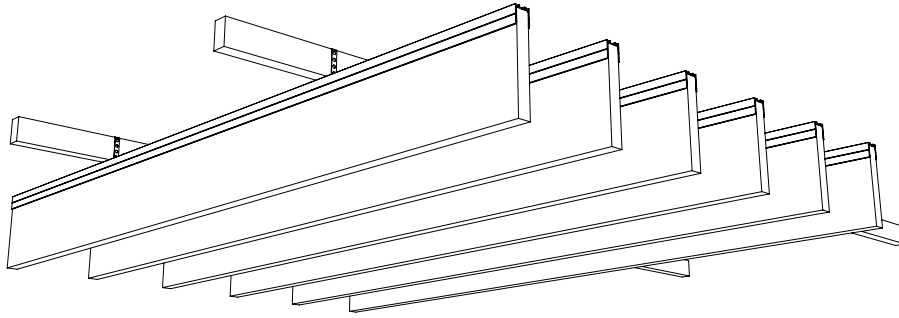
Items shown are not to scale

Max weight rating per baffle extrusion not to exceed 44 lbs

**ecoustic**® global leaders  
by INSTYLE in acoustic  
products

# BAFFLE CABLE SUSPENSION SYSTEMS

## CEILING COLLAR STRAP

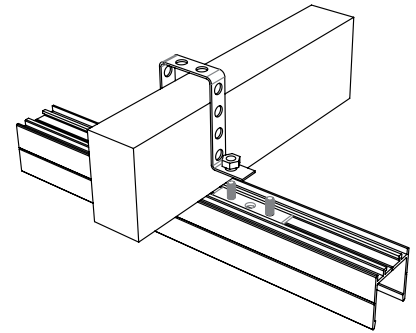


### HARDWARE OPTIONS

#### Sliding Mount Plates

For both baffle thicknesses

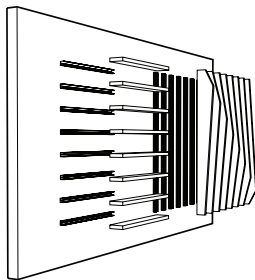
Sliding mount plates secured to extrusions and baffles are secured to structural supports or similar via dedicated collar strap. \*Collar strap can also be purchased externally at most hardware stores. The strap is trimmed to meet requirements of site.



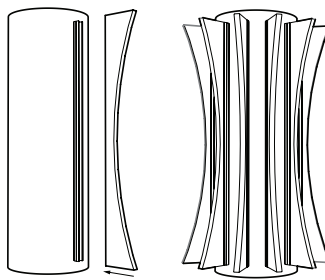
#### How to specify:

Ecoustic® Ceiling Collar Strap Installation Set  
(4 Mount Plates per Baffle)

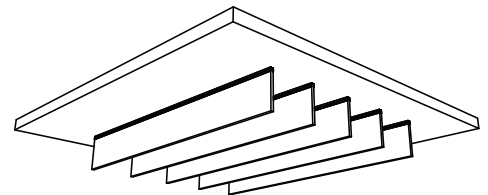
## DIRECT FIX



Wall Installation



Column Installation



Soffit Installation

### HARDWARE OPTIONS

#### Sliding Mount Plates

For both baffle thicknesses

Extrusion is secured to vertical or horizontal surface on site, via the central drilling groove within baffle extrusion. Baffles are then inserted into secured extrusions.

#### How to specify:

Ecoustic® Baffle Extrusion Direct Fix On Site

Mechanical fasteners to suit site structure

\*Mechanical fasteners not included and to be supplied by others

Items shown are not to scale

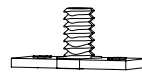
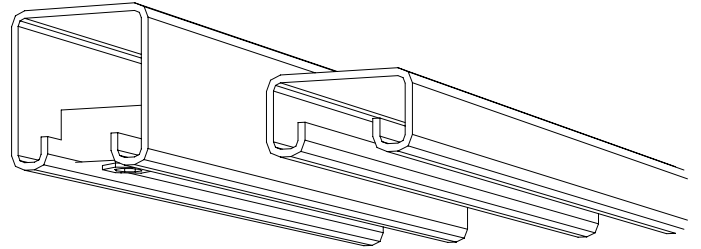
Max weight rating per baffle extrusion not to exceed 44

lbs

**ecoustic**® global leaders  
by INSTYLE in acoustic  
products

# BAFFLE CABLE SUSPENSION SYSTEMS

## UNISTRUT SUSPENSION



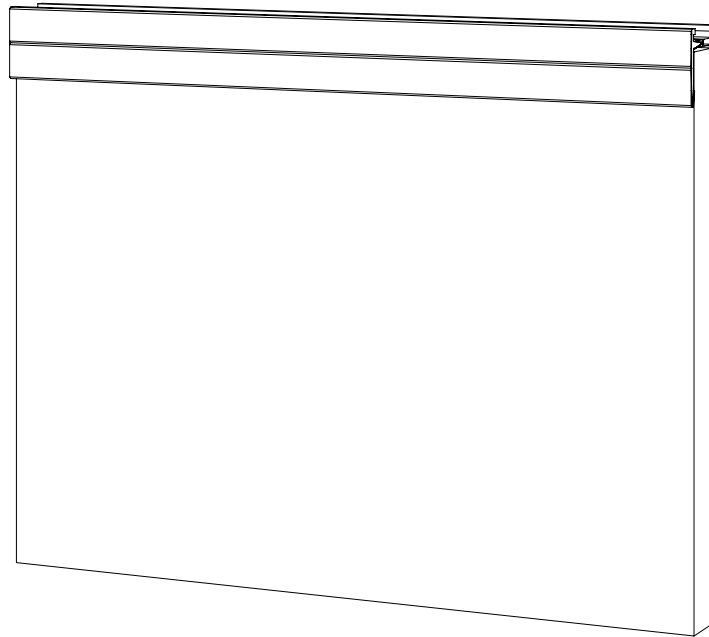
### HARDWARE OPTIONS

#### Unistrut System

For both baffle thicknesses  
.25" threaded rod supplied by others  
(cut to desired length) + connected  
with .25" Unistrut rod coupler.

#### How to specify:

Ecoustic® Unistrut Installation Set  
(2 per Baffle)



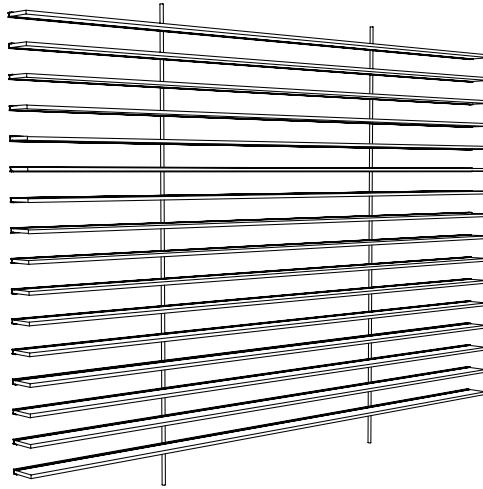
Items shown are not to scale  
Max weight rating per baffle extrusion not to exceed 44 lbs



# BAFFLE CABLE SUSPENSION SYSTEMS

---

## METAL ROD SUSPENSION - VERTICAL/HORIZONTAL



### HARDWARE OPTIONS

#### Metal Rods

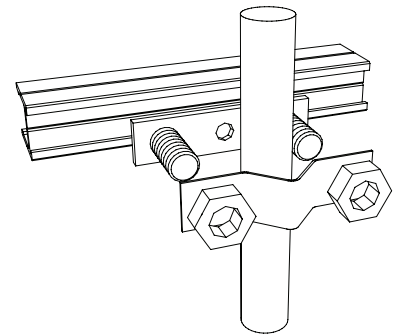
For both baffle thicknesses

Sliding mount plates secured to extrusions and baffles are secured to metal rods via dedicated strap. Maximum diameter .47", refer structural engineer specifications regarding maximum span of solid rod specified.

\*Metal rods and supports supplied by others to suit site requirements

#### How to specify:

Ecoustic® Rod Installation Set  
(2 per Baffle)



Items shown are not to scale  
Max weight rating per baffle extrusion not to exceed 44 lbs

**ecoustic**® global leaders  
by INSTYLE in acoustic  
products