

ECOUSTIC® INCLINE BAFFLES

unika vaev

Hear yourself think®

ECOUSTIC® BAFFLES COLOR

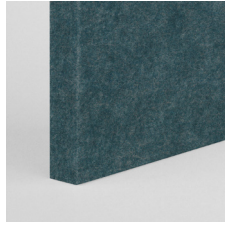
.47" Options



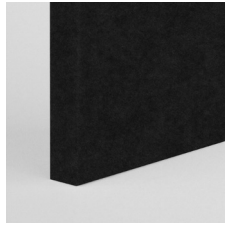
ALMOND



ATOM



AZURE



CAVE



CIRRUS



COOL



DENIM



ECRU



FAWN



GALAXY



HORIZON



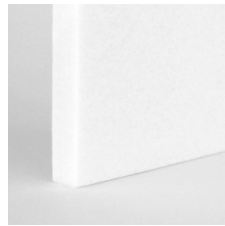
ISLE



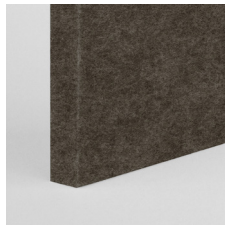
OLIVE



OXIDE



SNOWDROP

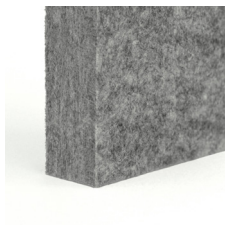


TRUFFLE



TUNGSTEN

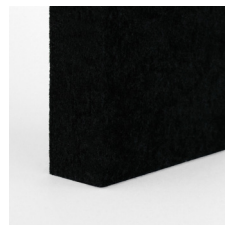
.94" Options



ASH



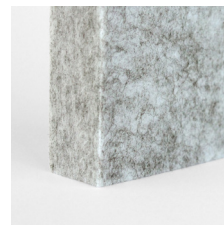
GRAPHITE



NERO



PURE

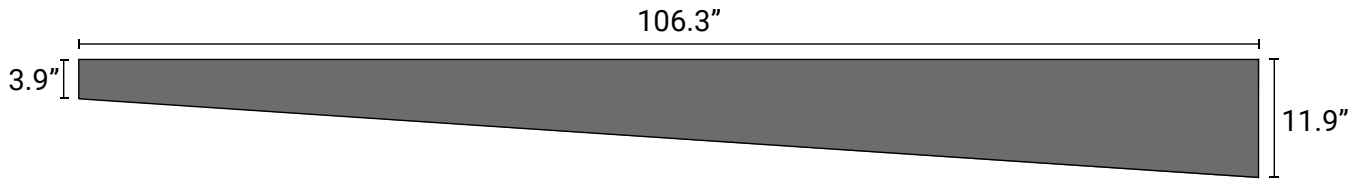


STONE

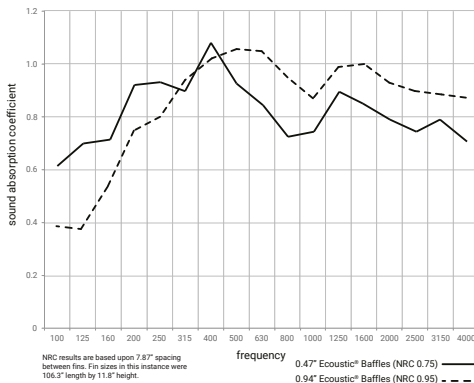
Product may vary in color due to the nature of the media
Please refer to website for current color range

ecoustic® global leaders
by INSTYLE in acoustic
products

ECOUSTIC® INCLINE BAFFLES



CONTENT	100% PET
THICKNESS	0.47" (12mm) or 0.94" (24mm)
DIMENSIONS	106.3" x 3.9" - 11.8" (2700mm x 100-300mm)
FLAMMABILITY	Class A for both thicknesses
ASTM E84	
AS/ISO 9705	
AS/NZS 1530.3	
GB 8624	
CAN ULC S102	
APPLICATION	Ceiling
ACOUSTIC	NRC 0.75 - 0.95 (depending on thickness)



DESCRIPTION Ecooustic® Baffles are a modular panel and support system designed for vertical, horizontal, and angular suspension.

PLEASE NOTE Ecooustic® Baffles can be fabricated to client specifications, in lengths from 23.625" to 106.3" and depths from 3.9" to 47.25". Custom thicknesses (.35", .53", .98") available upon request.

Designed for the Environment: Easy to disassemble and separate into the appropriate recycling systems, Ecooustic® Baffles can be recycled.

- Cradle to Cradle Bronze Certified®
- Low VOC
- Red List Compliant
- Rapidly Renewable Content
- Prop 65 Compliant
- Published with mindful MATERIALS / Ecomedes
- Health Product Declaration®
- EPD
- Oeko-Tex Certified
- Declare Compliant
- ISO 14001-Certified EMS
- No FR Additives
- No Conflict Minerals

Building Rating Systems: Ecooustic® Baffles will contribute the following points for Green Star, LEED + WELL building standards.

Criteria	Green Star	LEED	WELL
Low VOC	✓	✓	✓
Recyclable	✓	✓	N/A
Manufacturer Certified EMS	✓	N/A	N/A
3rd Party C2C Certification	-	✓	✓
Toxic Material Reduction	N/A	N/A	✓
Sound Reducing Surfaces	N/A	N/A	✓



ECOUSTIC® INCLINE BAFFLES

BENEFITS

Ideal for Large Spaces + Limited Wall Space: Ecooustic® Baffles is a versatile acoustic ceiling system and an ideal choice for use in spaces that are large and have limited wall space in new and existing fitouts.

Design Flexibility: Ecooustic® Baffles can be customized to any architectural context or select from our range of designs. Ecooustic® Baffles is made from Ecooustic® SC .47" + .94" with a uniform exposed edge, offering flexibility in acoustic performance and aesthetics. Each thickness has a variety of colors to choose from.

Superior Acoustic Performance: With the ability to absorb sound on all sides, Ecooustic® Baffles achieves superior acoustic performance, particularly baffles made from SC .94".

Easy to Install + Proprietary Suspension System: Ecooustic® Baffles is a complete system and the lightweight acoustic panels are simple to install. Instyle has a range of proprietary cable suspension systems supplied with natural or black anodised aluminium extrusions. Alternative extrusion fixings to support the baffles can be sourced.

Moisture Absorption: After four days at 122° F, 95% RH the moisture absorbency of SC .47" and SC .94" was less than 0.3% and 2.9% by weight respectively. As Ecooustic® Baffles is made from 100% polyester, it will not degrade over time due to moisture, mildew or rot in office environments.

Toxicity: Polyester is non-toxic and is classed the same as wood under the State of New York Article 15 Part 1120. Ecooustic® Baffle does not contain any Red List Chemicals (USA EPA).

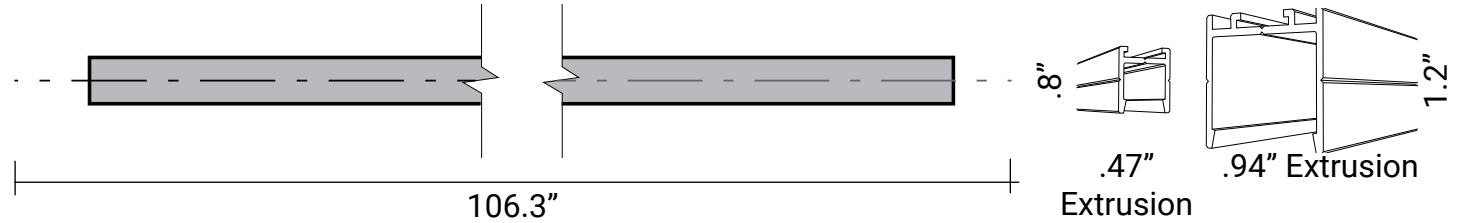
Safety: Unika Vaev recommends compliance with National Construction Codes and Building Safety Standards. Certification by a qualified practicing structural engineer, such as a Structural Safety Certificate should be confirmed for all overhead installations including baffles.

Please Note: Unika Vaev recommends compliance with National Construction Codes and Building Safety Standards. Certification by a qualified practicing structural engineer, such as a Structural Safety Certificate should be confirmed for all overhead installations including baffles.

BAFFLE CABLE SUSPENSION SYSTEMS

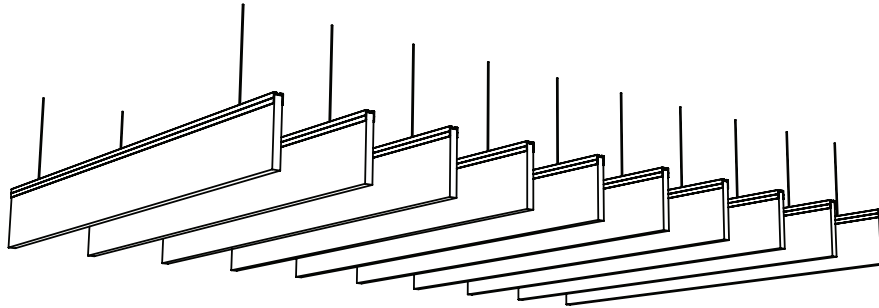
Baffle Support Extrusions

Ecoustic® Baffles can be supported by Unika Vaev baffle extrusions. Unika Vaev baffle extrusions are available in either natural anodized aluminum, or black powder coat finish, supplied in 106.3" lengths. Baffle support extrusions can be secured to Ecoustic® Baffles via several fixing options. Please refer to the Baffle installation guide on unikavaev.com



VERTICAL CABLE SUSPENSION

[2] Cables provided each 78.75" in length



HARDWARE OPTIONS

Baffle Screw

Cable screw secured into baffle

How to specify:

Ecoustic® Vertical Cable Installation - Screw Fix Set (2 per Baffle)

HARDWARE OPTIONS

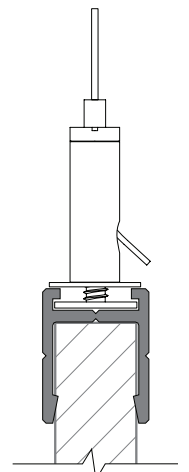
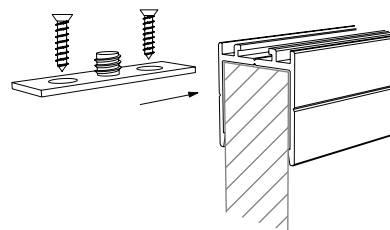
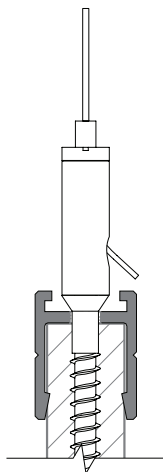
Sliding Cable Mount Via Extrusion

For all both baffle thicknesses

OR

How to specify:

Ecoustic® Vertical Cable Installation - Mount Plate Set (2 per Baffle)

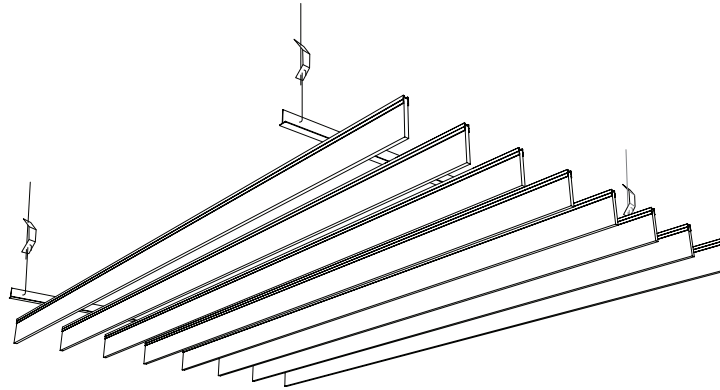


Items shown are not to scale
Max weight rating per baffle extrusion not to exceed 44 lbs

ecoustic® global leaders
by INSTYLE in acoustic
products

BAFFLE CABLE SUSPENSION SYSTEMS

SUSPENDED 'TEE' BAR

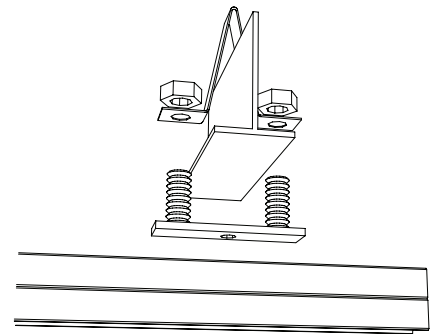


HARDWARE OPTIONS

Sliding Mount Plates

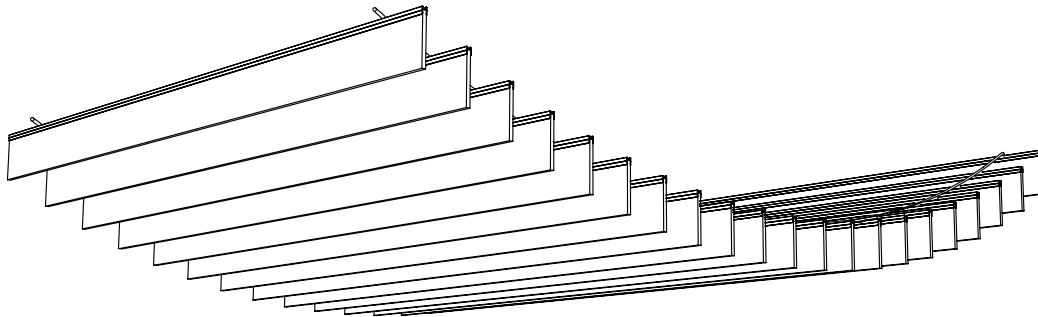
For both baffle thicknesses

Sliding mount plates secured to extrusions and baffles are secured to Tee bars or similar via dedicated strap, used in suspended ceiling grid systems. *Tee bar to be supplied by others to suit site requirements



How to specify:

Ecoustic® T-Bar Installation Set (2 per Baffle)



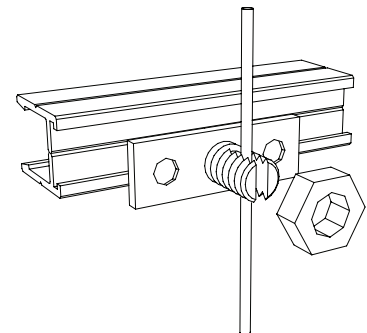
HARDWARE OPTIONS

Flex Plate Set

For both baffle thicknesses

Sliding mount plates secured to extrusions and baffles are then secured to horizontal or vertical cables via dedicated slotted bolt together with washer and nut.

*Cable not included and to be supplied by others to suit site requirements



How to specify:

Ecoustic® Slung Cable Installation Set (2 per Baffle)

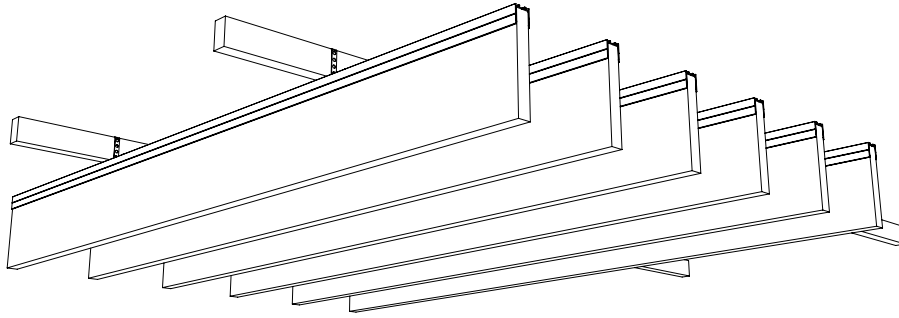
Items shown are not to scale

Max weight rating per baffle extrusion not to exceed 44 lbs

ecoustic® global leaders
by INSTYLE in acoustic
products

BAFFLE CABLE SUSPENSION SYSTEMS

CEILING COLLAR STRAP

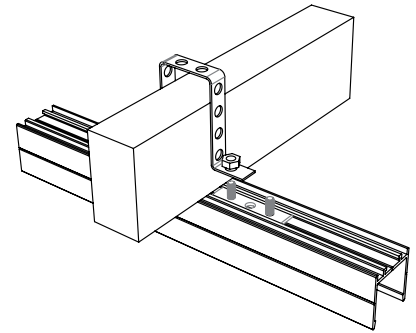


HARDWARE OPTIONS

Sliding Mount Plates

For both baffle thicknesses

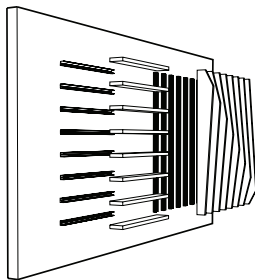
Sliding mount plates secured to extrusions and baffles are secured to structural supports or similar via dedicated collar strap. *Collar strap can also be purchased externally at most hardware stores. The strap is trimmed to meet requirements of site.



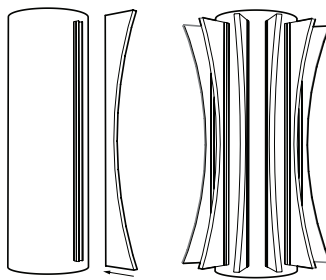
How to specify:

Ecoustic® Ceiling Collar Strap Installation Set
(4 Mount Plates per Baffle)

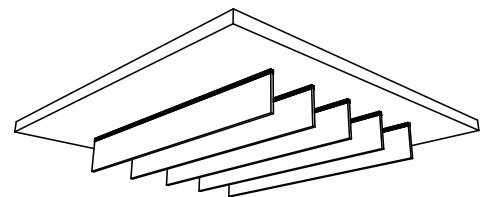
DIRECT FIX



Wall Installation



Column Installation



Soffit Installation

HARDWARE OPTIONS

Sliding Mount Plates

For both baffle thicknesses

Extrusion is secured to vertical or horizontal surface on site, via the central drilling groove within baffle extrusion. Baffles are then inserted into secured extrusions.

How to specify:

Ecoustic® Baffle Extrusion Direct Fix On Site

Mechanical fasteners to suit site structure

*Mechanical fasteners not included and to be supplied by others

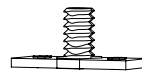
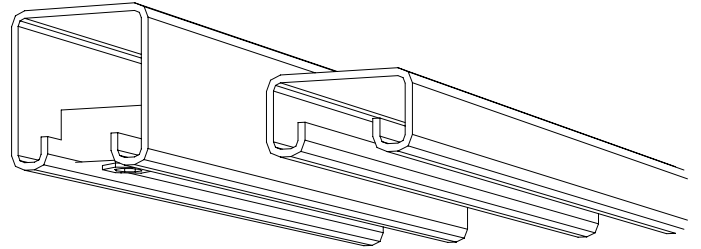
Items shown are not to scale

Max weight rating per baffle extrusion not to exceed 44 lbs

ecoustic® global leaders
by INSTYLE in acoustic
products

BAFFLE CABLE SUSPENSION SYSTEMS

UNISTRUT SUSPENSION



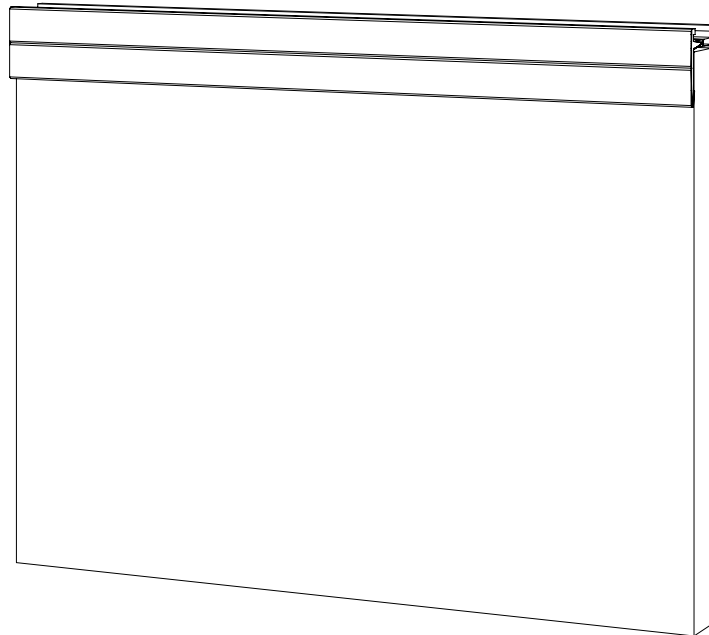
HARDWARE OPTIONS

Unistrut System

For both baffle thicknesses
.25" threaded rod supplied by others
(cut to desired length) + connected
with .25" Unistrut rod coupler.

How to specify:

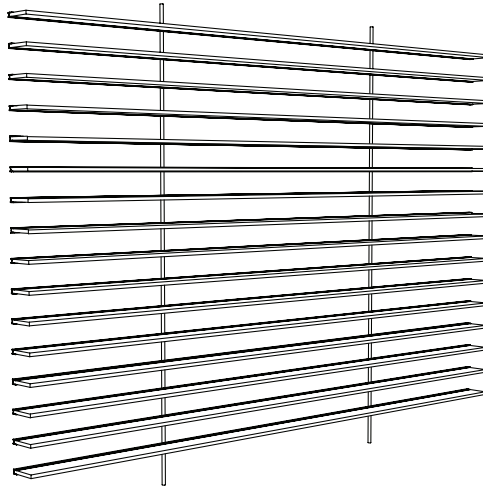
Ecoustic® Unistrut Installation Set
(2 per Baffle)



Items shown are not to scale
Max weight rating per baffle extrusion not to exceed 44 lbs

BAFFLE CABLE SUSPENSION SYSTEMS

METAL ROD SUSPENSION - VERTICAL/HORIZONTAL



HARDWARE OPTIONS

Metal Rods

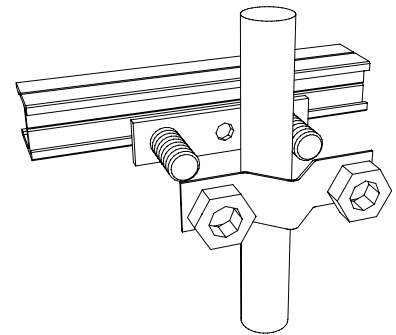
For both baffle thicknesses

Sliding mount plates secured to extrusions and baffles are secured to metal rods via dedicated strap. Maximum diameter .47", refer structural engineer specifications regarding maximum span of solid rod specified.

*Metal rods and supports supplied by others to suit site requirements

How to specify:

Ecoustic® Rod Installation Set
(2 per Baffle)



Items shown are not to scale
Max weight rating per baffle extrusion not to exceed 44 lbs

ecoustic® global leaders
by INSTYLE in acoustic
products