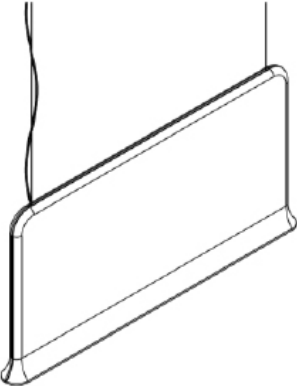


Trumpet Installation + Care



Trumpet Assembly

Components Included:



Trumpet (1x)



Ceiling Bracket (2x)
[T24 profile]



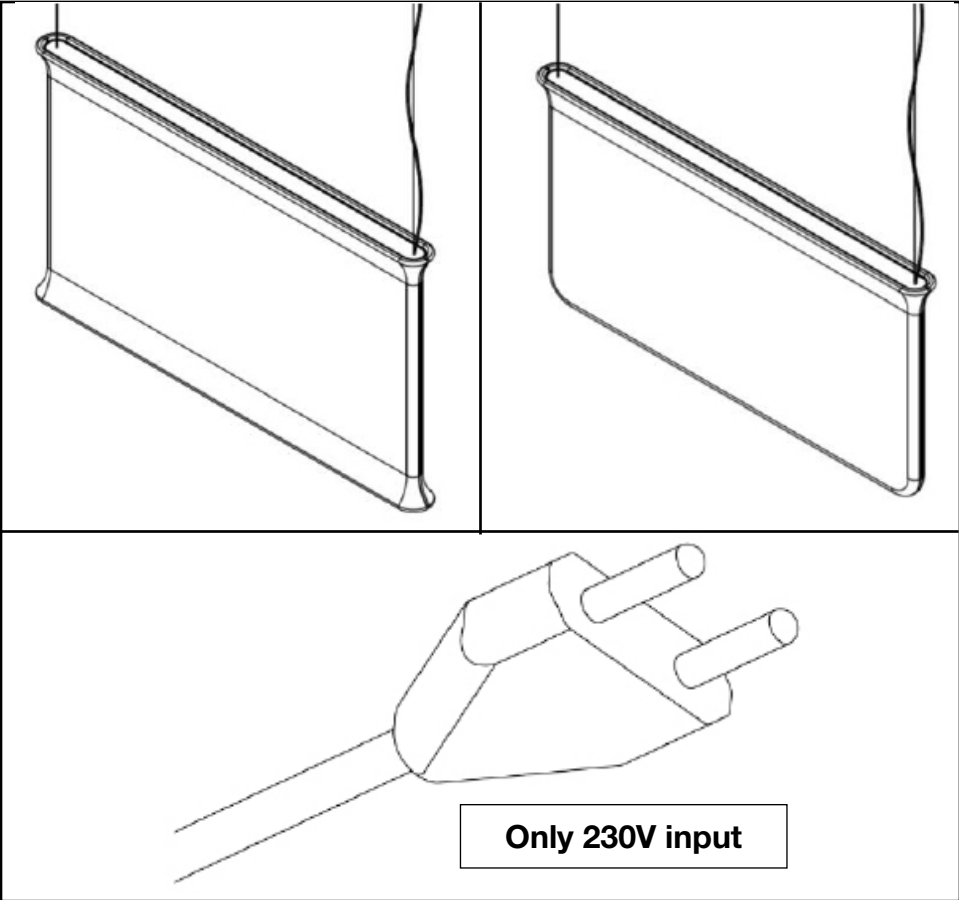
Roof Bracket (2x)



Gripper (2x)

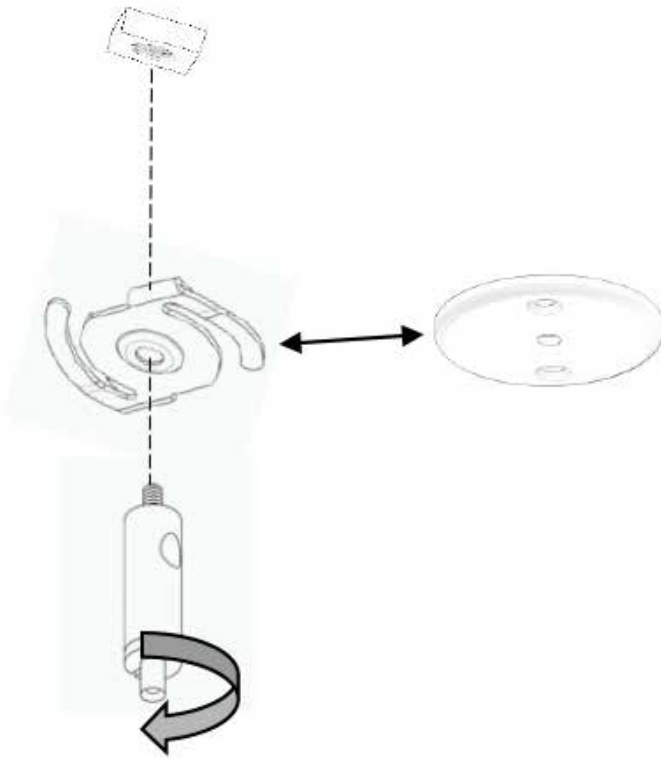


Nut M4 (2x)



Only 230V input

1.



2.

A. Insert the wire into the gripper. Always insert the wire through the pin unless otherwise stated.

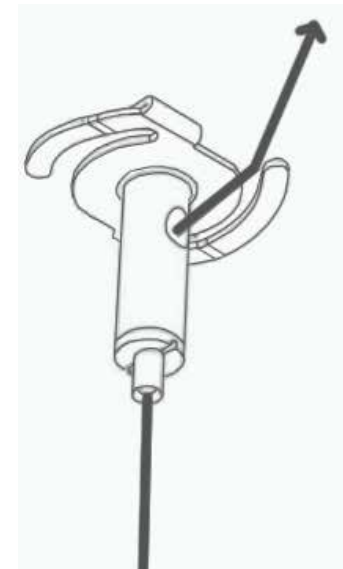
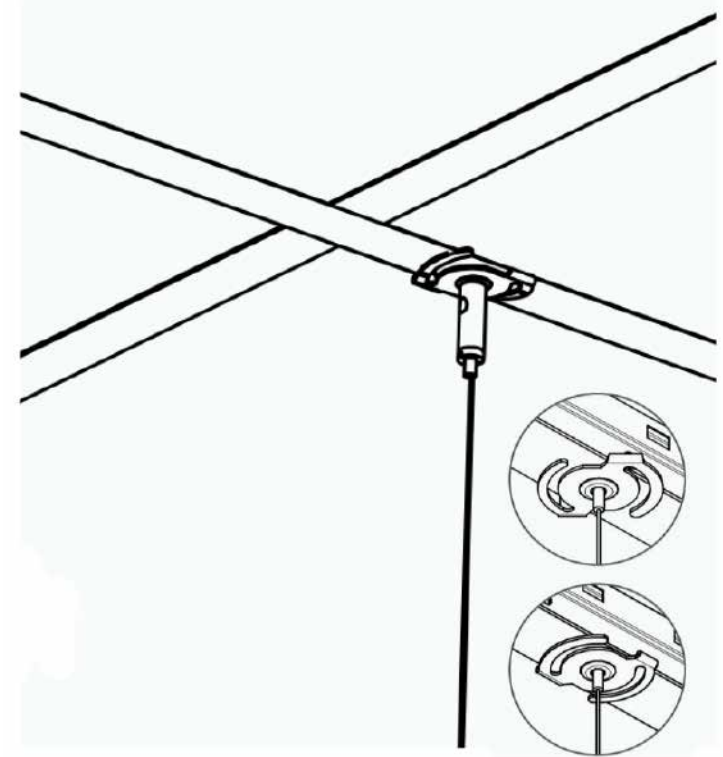
B. Adjust the gripper up. When you let go of the gripper it will automatically lock itself on the wire.

C. Press the pin and adjust down. When you press the pin the lock opens and the gripper slides freely up and down the wire. Release the pin to lock the gripper again.

A. Direction of wire and gripper must be in a straight line

B. The wire must be inserted all the way through the gripper and protrude at least .2" from the bottom

3.



Care Instructions

To maintain the color and appearance of Trumpet we recommend vacuuming the fabric surface regularly with a soft brush nozzle.

For stain removal, dab or gently wipe surface with a damp cloth.

