

unika vaev  
abstracta

# Air Series

by Stefan Borselius

Hear Yourself Think®



The Air Series of acoustical partitions bring beauty to any space and promote a calmer working environment. Nature, with its shifting seasons and multitude of forms, is the source of inspiration for the Air Series. Snowflakes, blooming flowers and autumnal leaves are the Air Series organic representations while a dimensional cone motif is more abstract.

Airflake, Airbloom, Airleaf, Aircone, and Air-X modules are produced of compression-molded fabric-covered fiber felt. The modules are assembled in pattern using plastic clips to produce partitions that can be mounted with a straight rail to the ceiling or to the wall.



Stefan Borselius was born in Höllviken, at the southwestern tip of Sweden. He is a trained cabinetmaker having mastered his craft at the Steneby School. Stefan then pursued a Bachelor's degree in furniture design at the Carl Malmsten School of Art in Stockholm and a Master's degree from Konstfack, the University College of Arts, Crafts and Design in Stockholm.

Stefan has won several design prizes and awards, and some of the products he has designed are represented in the collections of the Swedish National Museum in Stockholm. He has designed the Air Series for Abstracta, a part of the Lammhults Design Group.

Designer Stefan Borselius

## AIR SERIES COLORWAYS

Air Series modules are produced with 100% molded polyester felt and covered with 100% polyester felt in 30 vibrant options. There are also an additional 60+ colors of 100% New Zealand Wool coverings in a flat color, or a mélange version. See the entire color line at [unikavaev.com](http://unikavaev.com) to make your choice.



\* Denotes a longer lead time to obtain these colors



# unika vaev

## abstracta

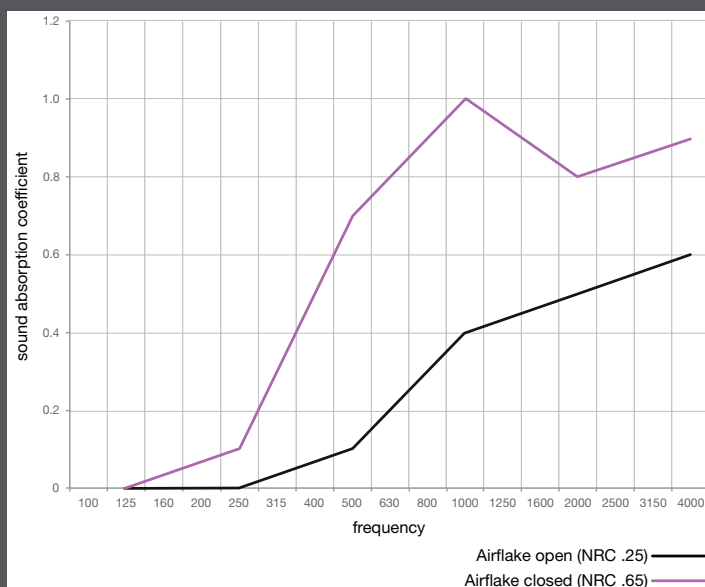
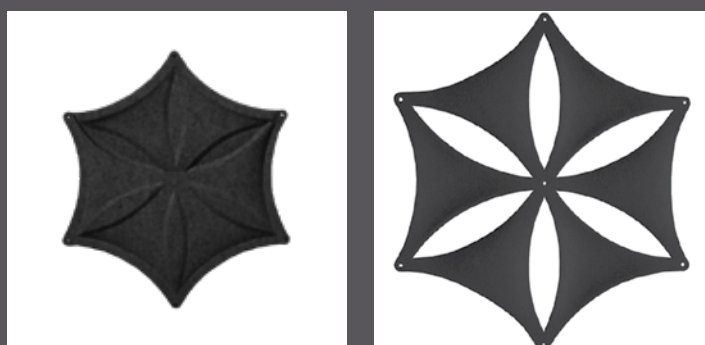
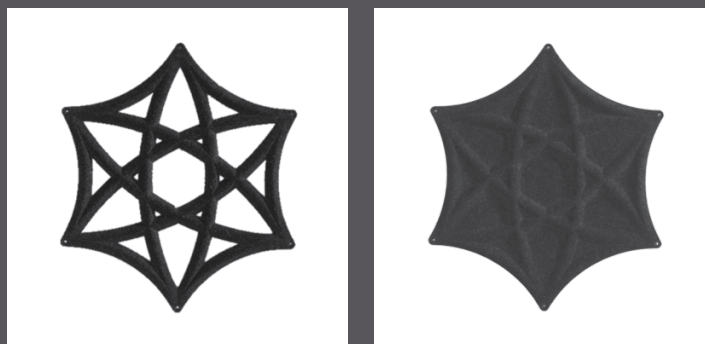
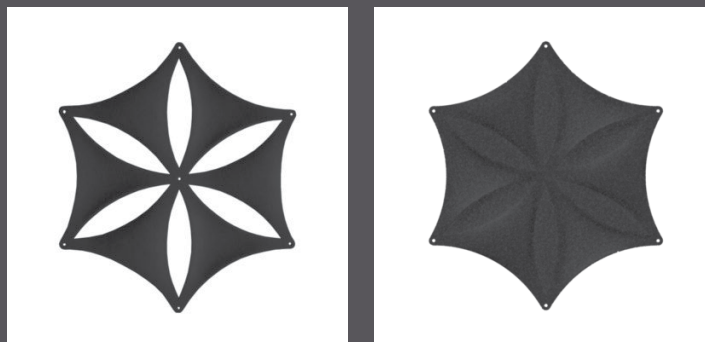
Airflake modules are formed into a variety of open or closed hexagonal shapes that are 15.7" height by 14.2" wide. A larger Airflake XL option is also available (27.5" height x 23.6" wide). The flakes are designed to provide visual separation and sound-absorption. Depending upon their configuration, Airflake partitions achieve NRC ranges from .25 (open) to .65 (closed).

Airflake is delivered with short and long plastic mounting clips. Partitions can be mounted to the ceiling or wall with a straight rail in two lengths 59" or 78.75" which can be joined or cut on site.

Accessories: Drop ceiling brackets to mount Airflake directly to a drop ceiling, wire kit to hang the rail a distance from the ceiling, and a roller - used together with the clips - to make Airflake roll along the rail.



## Airflake

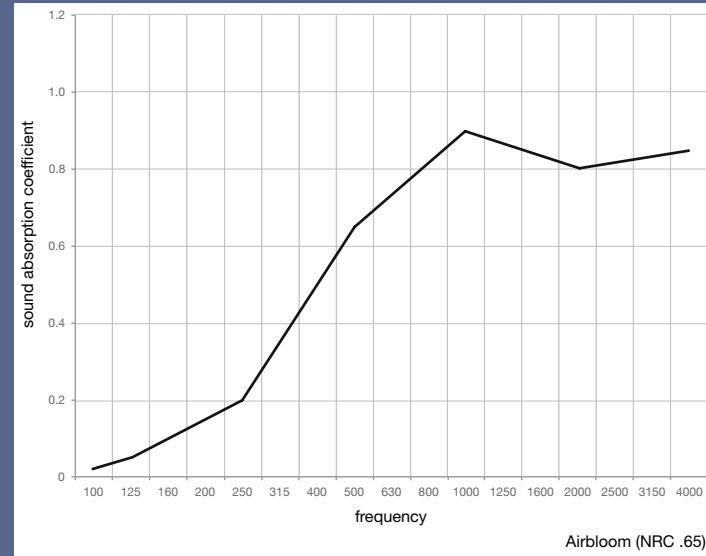
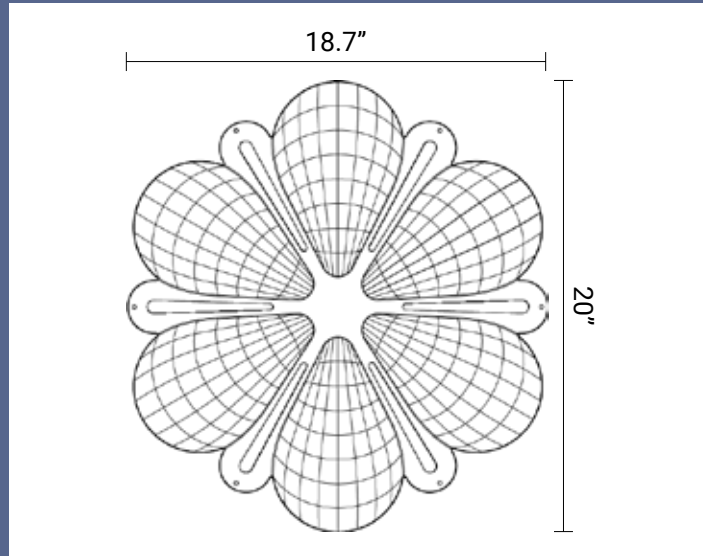


Air Series

Fear Yourself Think®



## Airbloom



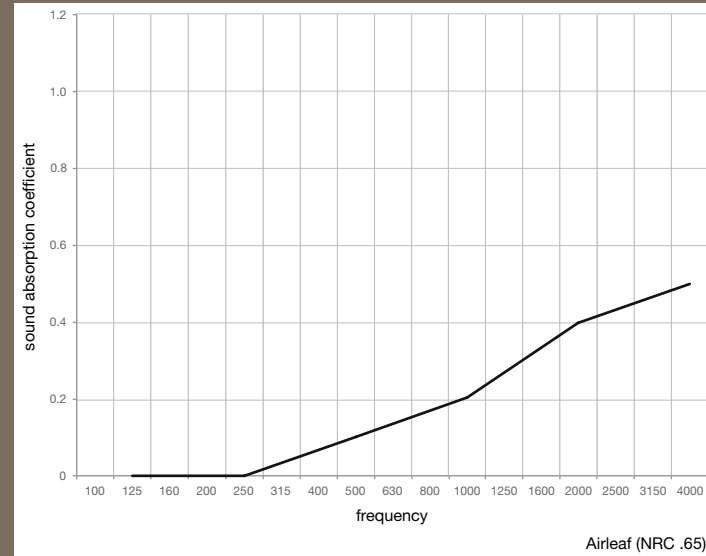
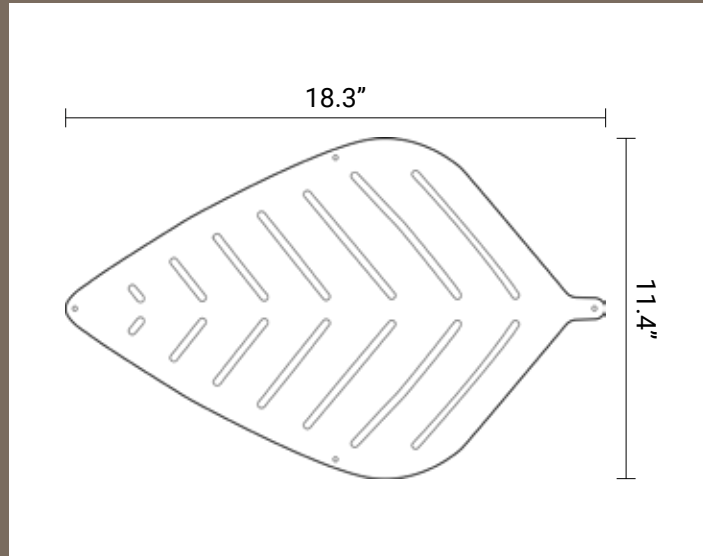
Dynamic visual spaces that produce an improved soundscape are achieved by using Airbloom. The degree of sound absorption provided by Airbloom is determined by how the modules are combined. See pattern suggestions below.

The compression molded fabric covered fiber felt Airbloom modules are 20" high by 18.7" wide and are delivered with transparent short and long mounting pegs. The partitions can be mounted to the ceiling or wall with a straight rail in two lengths 59", or 78.75" that can be joined or cut on site.

Accessories: Brackets to mount Airbloom directly to a drop ceiling, wire kit to hang the rail a distance from the ceiling, and a roller - used together with clips - to make Airbloom roll along the rail.







Airleaf is designed to gently separate space while building a pleasant soundscape. The compression molded fabric covered fiber felt leaves are combined in a variety of patterns to bring nature into interior spaces. A single leaf module is 18.3" high by 11.3" wide.

Airleaf is delivered with short and long plastic mounting clips. The leaves can be mounted to the ceiling or wall with a straight rail in two lengths 59", or 78.75" that can be joined or cut on site.

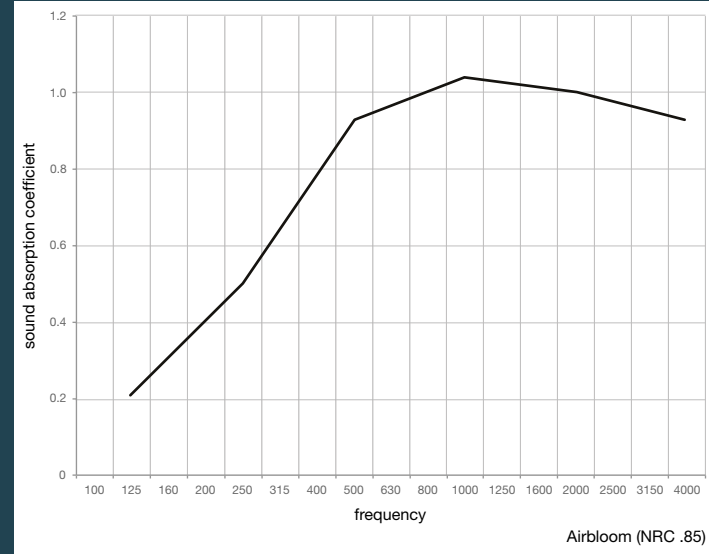
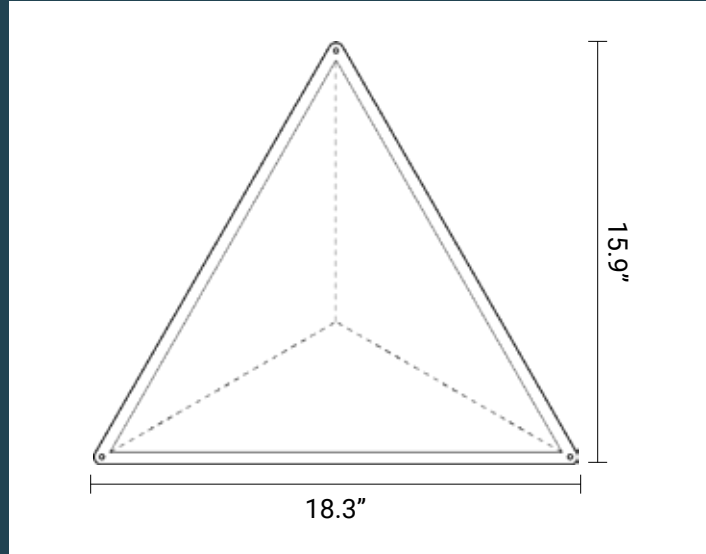
Accessories: Drop ceiling brackets to mount Airleaf directly to a drop ceiling, wire kit to hang the rail a distance from the ceiling, and a roller - used together with clips - to make Airleaf roll along the rail.





*unika vaev*  
abstracta

Aircone



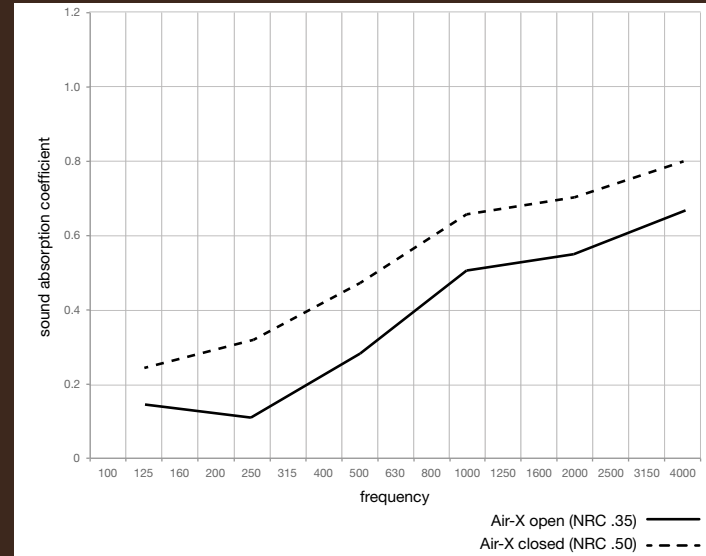
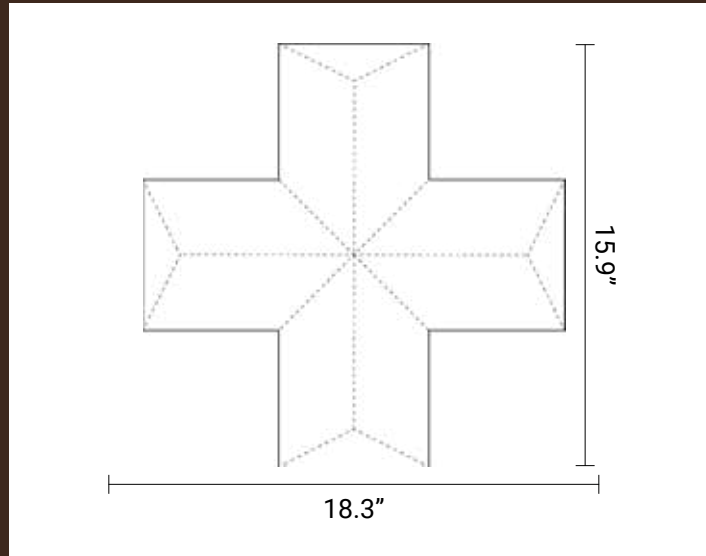
Aircone is a sound absorber with a simple triangular designed module that is angled and tapered to permit sound diffusion. The modules achieves an NRC of .85.

The compression molded fabric covered fiber felt Aircone modules are 15.9" high by 18.3" wide and are 3.4" deep. Half modules are also available to create straight edges in your design. Aircone is provided with plastic mounting clips and 2, 3, + 6-way connectors. Aircone can be mounted to the ceiling or wall with a straight rail in two lengths 59", or 78.75" that can be joined or cut on site.

Accessories: Drop ceiling brackets to mount Aircone directly to a drop ceiling, wire kit to hang the rail a distance from the ceiling, and a roller - used together with clips - to make Aircone roll along the rail.







With Air-X, Stefan Borselius enters a world of symbols, typography, and letters. Just like the letters of the alphabet, the ceiling-suspended sound-absorber Air-X allows you to create an infinite number of configurations. Air-X achieves an NRC range of .35 - .50 depending on model.

The compression molded fabric covered fiber felt Air-X modules are 18.1" high by 18.1" wide. Air-X modules hook into one another using small plastic clips creating screen partitions. Air-X may be mounted to the ceiling or wall with a straight rail in two lengths, 59" or 78.75". Those rails can be joined or cut on site.

Accessories: Drop ceiling brackets to mount Aircone directly to a drop ceiling, wire kit to hang the rail a distance from the ceiling, and a roller - used together with clips - to make Air-X roll along the rail.





# unika vaev

## abstracta



Unika Vaev  
114 New Park Avenue, Suite 1  
North Franklin, CT 06254

P- 800-237-1625  
F- 888-784-8209  
E- [customerservice@unikavaev.com](mailto:customerservice@unikavaev.com)

Hear Yourself Think®