

# CEILING EDIT INSTALLATION & CARE

**unika vaev**  

---

**INSTYLE**

Hear yourself think®

# ECOUSTIC® CEILING EDIT - INSTALLATION

## INCLUDED IN BOX (units per box)

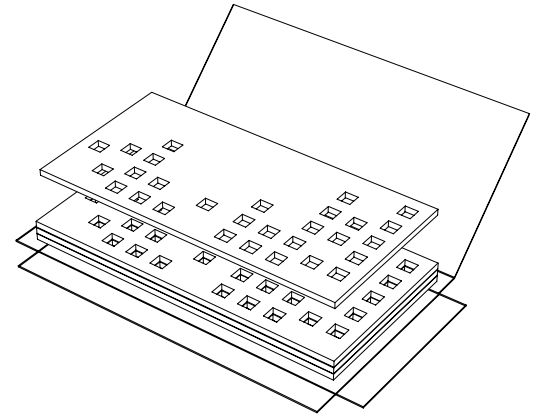
(8) ceiling tiles at 0.47" thick

(4) ceiling tiles at 0.94" thick

## Optional

Acoustic Mesh + Pins

Infill + Screws

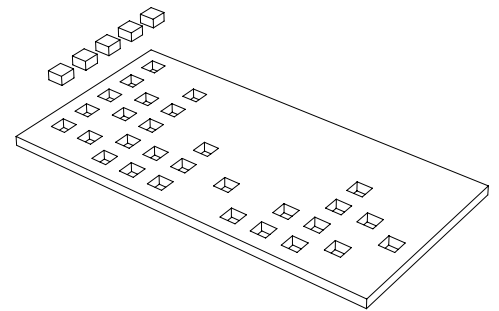


## Step 1

Remove ceiling tile from packaging

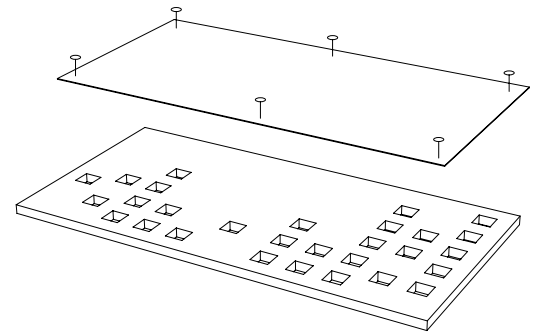
## STEP 2

Remove smaller cutouts within the ceiling tile to reveal the design, care must be taken not to damage the ceiling tile in areas that are narrow.



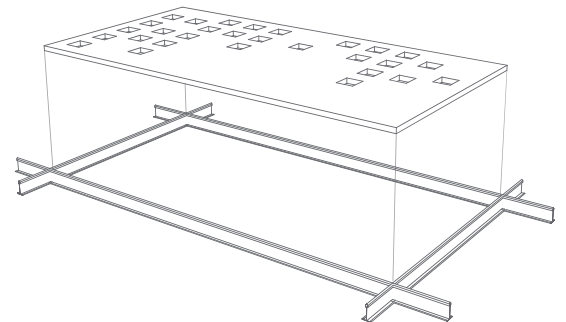
## STEP 3

(Optional Acoustic Mesh or Infill Panel)  
Turn ceiling tile over, and attach the Acoustic Mesh or Infill Panel to the back of the tile using the pins provided for mesh, or screws for infill panels.



## STEP 4

Maneuver the ceiling tile above the ceiling grid supports and place directly on T bar sections as shown.



# ECOUSTIC® CEILING EDIT - CARE

## Regular Care

- Protect from direct heat and sunlight
- To prevent dust build up, lightly dust with a soft cloth or vacuum with a soft brush attachment

## Cleaning

- Professional cleaning is always recommended
- Always test any any cleaning products on an inconspicuous area prior to commencing cleaning
- Blot any excess spills from the material with a dry clean sponge or cloth
- Treat all stains and spills as soon as possible
- Most marks can be spot cleaned by lightly wetting the affected area with a mild detergent and warm water solution
- Do not saturate the tile
- Do not scrub or abrade the tile surface as this will affect the surface finish
- Once the stain or mark has been loosened then blot the excess solution out with a dry clean sponge or cloth
- Sponge afterwards with clean warm water and dry any excess moisture with a dry clean sponge or cloth
- The product can also be spot cleaned with dry cleaning fluid, lightly sponge a small amount of dry cleaning fluid and blot
- Dry away from direct heat and sunlight
- Do not use carpet shampoo