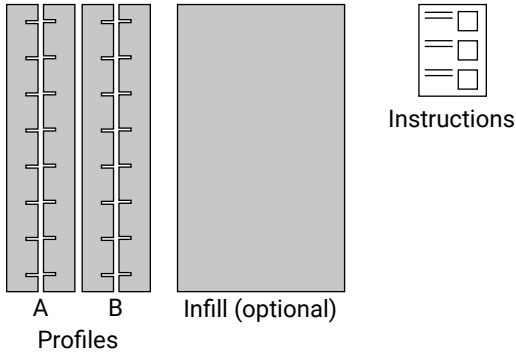


Ecoustic® Sculptwood Cross - Tile Assembly + Installation

Supplied



	24" x 24" Tile	48" x 24" Tile
Cross Tiles	8	4
Weight	6.8 lbs	13.5 lbs
Profile A	6	6
Profile B	6	12

Important

New ceiling grids must be installed to comply with manufacturer's specifications in relation to the specified tile weight. Confirm weight rating prior to installation. When using existing suspended ceiling tile grids, Installer must confirm the structural adequacy of the grid and modify the grid if required to meet structural engineers' specifications taking the Sculptwood tile weight into account.

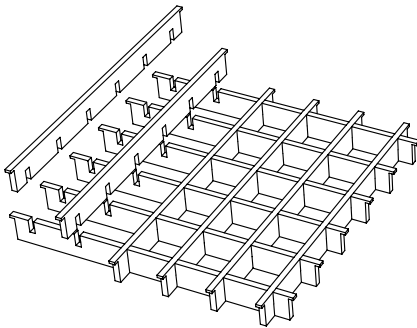
Unika Vaev recommends structural engineer's safety certification for all overhead installations.

Care

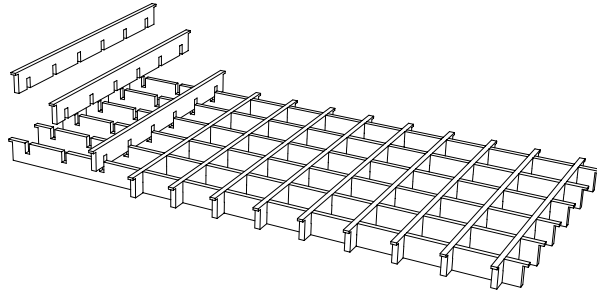
Ecoustic® Sculptwood ceiling tiles are pre-finished in internal grade coatings therefore periodic dusting should keep the tiles looking their best.

Should the tiles require cleaning, we recommend wiping the tiles down with a clean dry or damp cloth or duster.

24" Tile

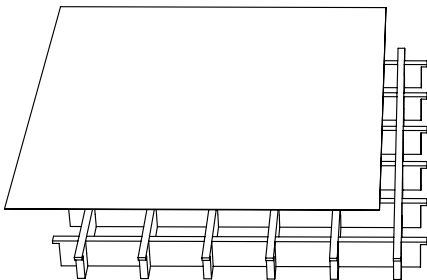


48" Tile



Step 1

Remove components from packaging and assemble the profiles together paying attention to the junctions of each profile as they fit tightly within each other.



Step 2

Place the infill on the back of the tile.*

*This step pertains only if infill was specified.

Step 3

Maneuver the ceiling tile above the ceiling grid supports and place directly on T bar sections as shown. Ensure ceiling tile is centred.

