

# ECOUSTIC® BLADE PANEL INSTALLATION + CARE



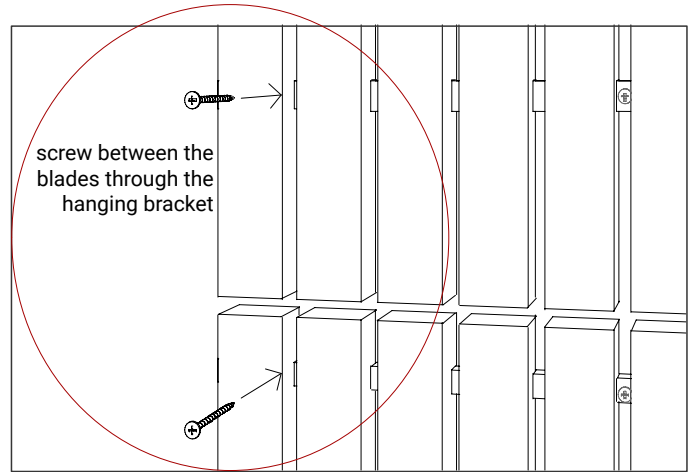
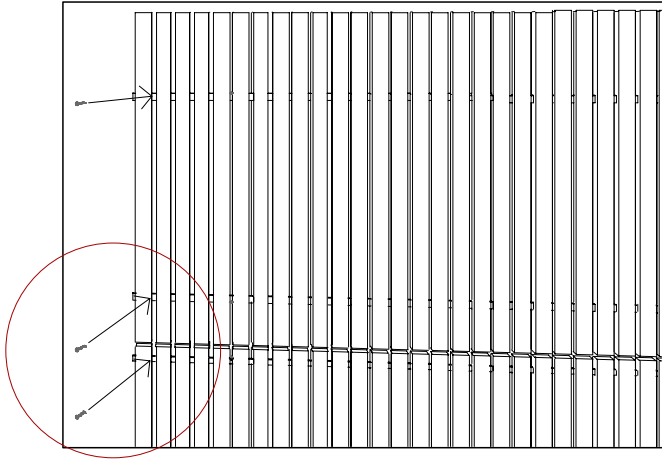
*unika vaev*  

---

INSTYLE

Hear yourself think®

# ECOUSTIC® BLADE PANEL INSTALLATION + CARE



## Supplied Unika Vaev

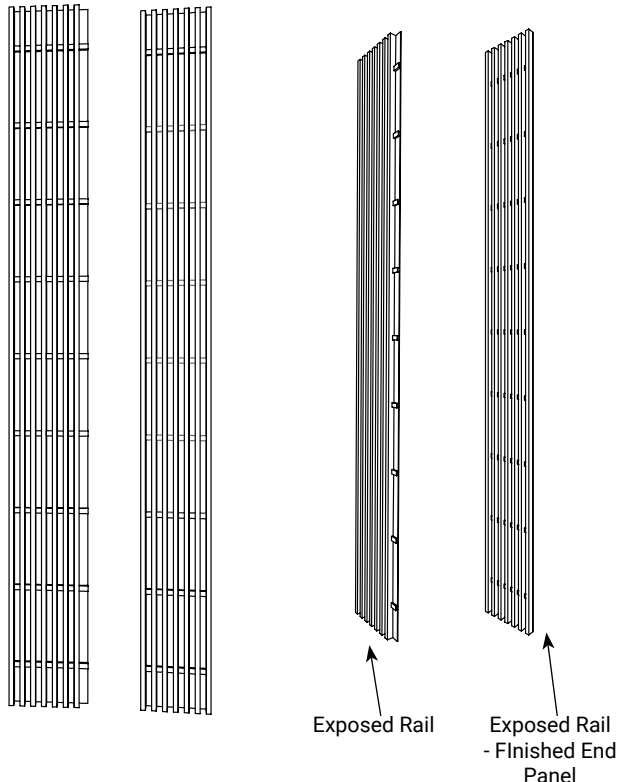
Ecoustic® Blade Panel is supplied in box qty's as follows:

- 12" x 106.3" [4] Ecoustic® Blade Panels per box - Profile 6018-5 is provided in a box of [2]
- 12" x 94.5" [4] Ecoustic® Blade Panels per box - Profile 6018-5 is provided in a box of [2]

## Finished End Panels

Exposed black aluminium rails extend beyond Blade profiles, which can be concealed within Finished End Panels if required (please refer to our price list).

***\*Please confirm if rails must be concealed when placing your order.\****



## Installation

The standard color of Ecoustic® Blade Panel hanging brackets is black. The use of color matched black screws to install the panels further conceals the installation fixtures. Simply screw between the blades through the hanging bracket into structurally adequate stud framing, furring channels or substrate. Please note that the screws are not supplied.

## Ceiling Applications

When installing as ceiling panels, installers must confirm the structural adequacy of the support framing system used.

A structural engineers safety certificate must be confirmed for all overhead installations.

**Care information on following page**

# ECOUSTIC® BLADE MAINTENANCE

Ecoustic® Blade surfaces are easy to clean using a cloth dampened with warm water and detergent. If in doubt about a particular cleaner or detergent, check with its manufacturer for the suitability. We recommend you test on a small area or sample prior to applying to the surface.

- Avoid the use of acetone or trichloroethylene for cleaning purposes.
- The use of abrasive cleaners, powders, scouring pads, steel wool, sandpaper, etc. may damage the finish and make the surface susceptible to staining.
- Accidental spills or splatters from these harsh materials should be wiped off immediately, and the area cleaned thoroughly with a damp cloth.
- Examples of these materials are: Ceramic cooktop cleaners, tub and tile cleaners, chlorine bleach, oven cleaners, and harsh detergents.

Avoid dragging or hitting heavy objects against the surface.

Please Note: The information, opinions, advice and recommendations provided have been prepared with due care. They are offered only for the purpose of providing some useful and helpful assistance to specifiers and their clients. While every effort has been made to ensure that this is in accordance with current technology, it is not intended as an exhaustive statement of all relevant knowledge.