

ECOUSTIC® FOLIAR

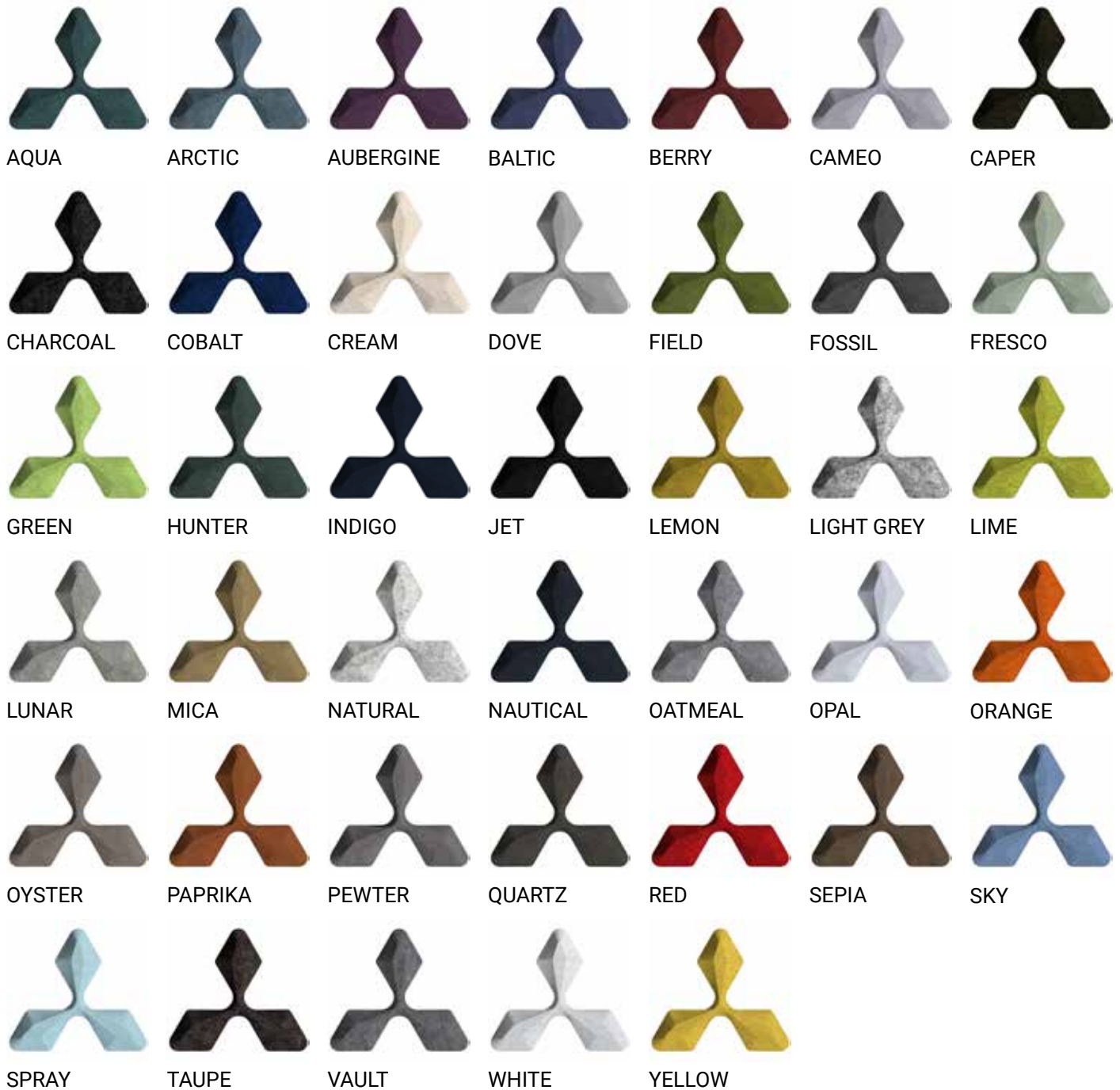


unika vaev

INSTYLE

Hear yourself think®

ECOUSTIC® FOLIAR LEAF COLORS



Ecoustic® Foliar Base



Patterns shown are not to scale
 Product may vary in color due to the nature of the media
 Please refer to website for current color range

ecoustic® global leaders
 by INSTYLE in acoustic
 products

ECOUSTIC® FOLIAR

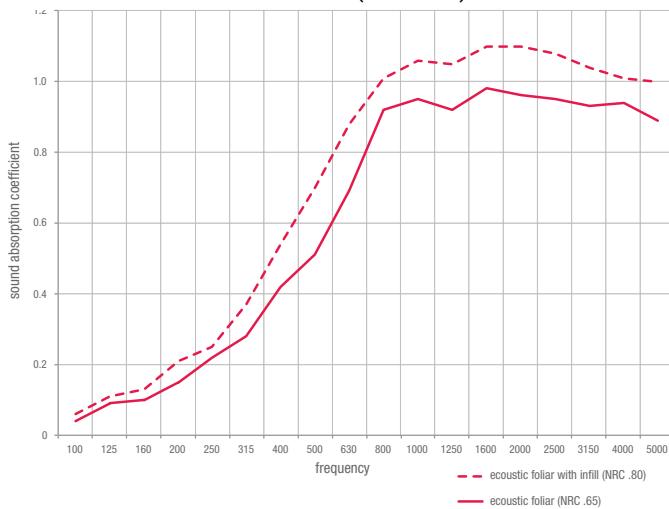


CONTENT 100% PET (up to 23% recycled content)

DIMENSIONS (w) 19.7" x (h) 17.5" x (d) 2.2"
(501mm x 445mm x 55mm)

APPLICATION Wall, Ceiling (must be glued or screwed)

ACOUSTIC
AS/ISO 354 NRC: 0.65
NRC: 0.80 (with Infill)



FIRE RATINGS

AS/NZS 3837
GB 8624 2012
ISO 5660.1

DESCRIPTION

Ecoustic® Foliar is a versatile, striking and dynamic wall feature design that has been inspired by the tessellating cellular structures found in nature. Individual tiles can be installed as endless organic formations that build formations of positive and negative space.

UNIKAVAEV.COM
800-237-1625

Lightweight, Easy to Handle + Install: Ecoustic® Foliar is a modular tile that is easy to install and re-install. Screw the base tile directly to your wall and then snap on the top tile. The design can be easily extended at a later stage.

Designed for the Environment:

- Recycled Content
- Rapidly Renewable Content
- Low VOC
- Greentag Level A Certified
- Prop 65 Compliant
- No FR Additives
- No Conflict Minerals
- Red List Compliant

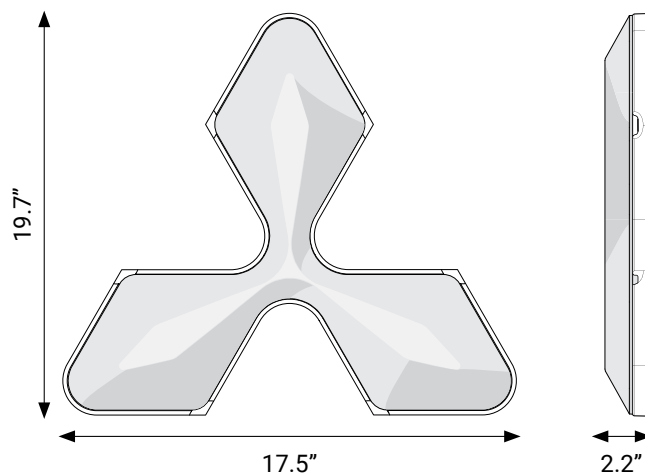
Building Rating Systems: Ecoustic® Foliar Leaf will contribute the following points for Green Star, LEED and WELL building standards.

Criteria	Green Star	LEED	WELL
Recycled Content	Yes	Yes	NA
Low-VOC	Yes	Yes	Yes
Recycling Program	Yes	Yes	NA
EPD	Yes	Yes	NA
Third Party Greentag Level A Certification	Yes	Yes	Yes
Toxic Material Reduction	NA	NA	Yes
Sound Reducing Surface	NA	NA	Yes



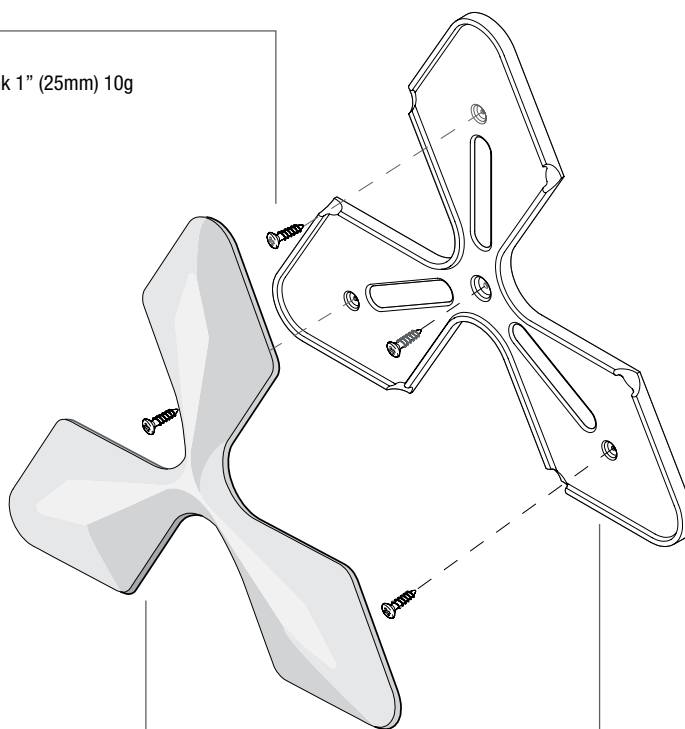
ecoustic® global leaders
by INSTYLE in acoustic
products

ECOUSTIC® FOLIAR COMPONENTS



Screws

Flat-head c/sunk 1" (25mm) 10g
[4 per tile]
Not supplied



ecoustic® Foliar Leaf

100% polyester (up to 23% recycled content)
5 tiles per box in a single color

Foliar Base

100% polycarbonate
5 tiles per box in a single color